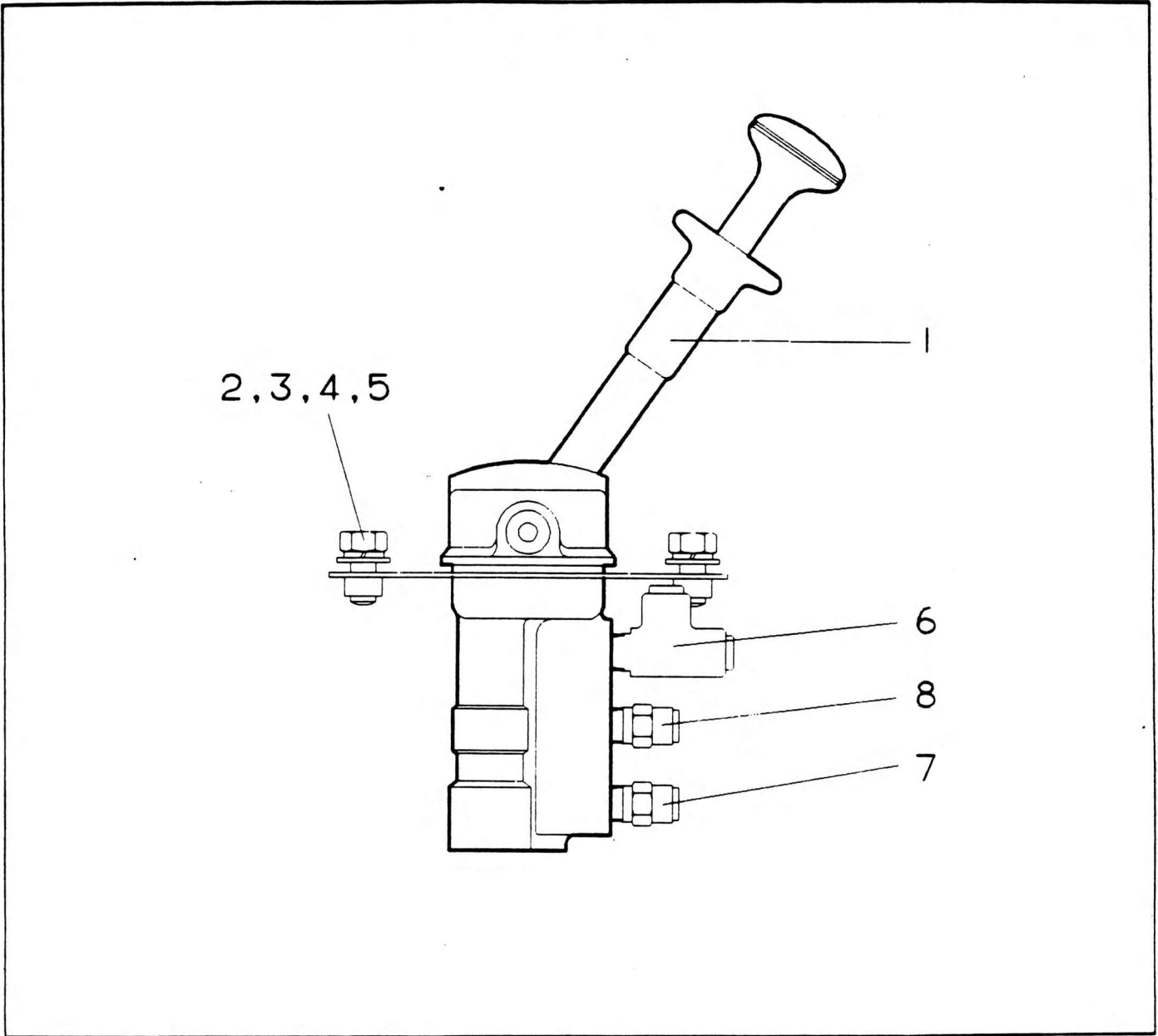


HANDBRAKE VALVE ASSY



NO.	PART NO.	QTY.	DESCRIPTION	NO.	PART NO.	QTY.	DESCRIPTION
1	# 7-926-001992	1	Valve Handbrake Control				
2	7-126-171001	4	Screw Hex Head M8 x 16 Long				
3	7067215	4	Washer Spring M8				
4	7066537	4	Washer Plain M8				
5	7-445-040451	4	Bolt Head Cover M6				
6	7-443-990994	1	Special 'T' Adaptor				
7	7-443-990964	1	Adaptor 1/2" NPTF x 1/2" Tube				
8	7-445-040449	1	Nipple				

# Serviced Complete